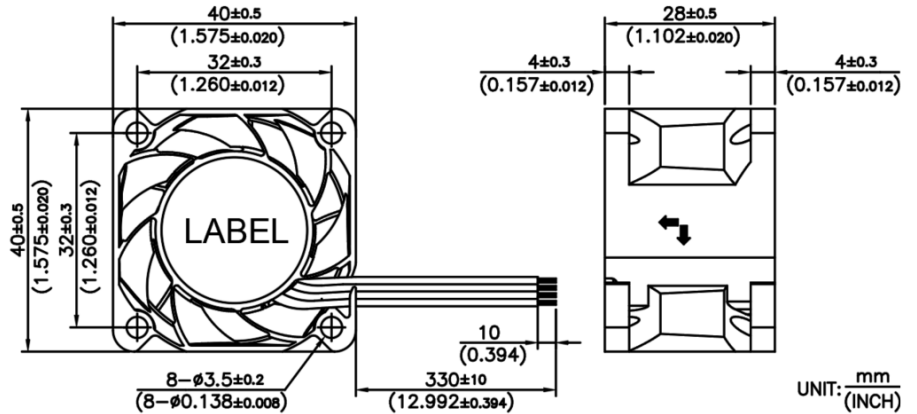


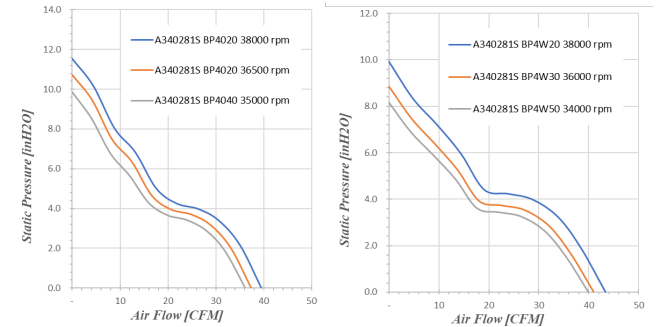
iCloud Fan 40*40*28 MM

High Pressure & Low Power Super Speed Series

DIMENSION DRAWING



Housing : Plastic (UL 94V-0)
 Impeller : Plastic (UL 94V-0)
 Bearing : Ball bearing
 Lead Wires : UL10368 AWG26 OR Equivalent
 Mass : 52g

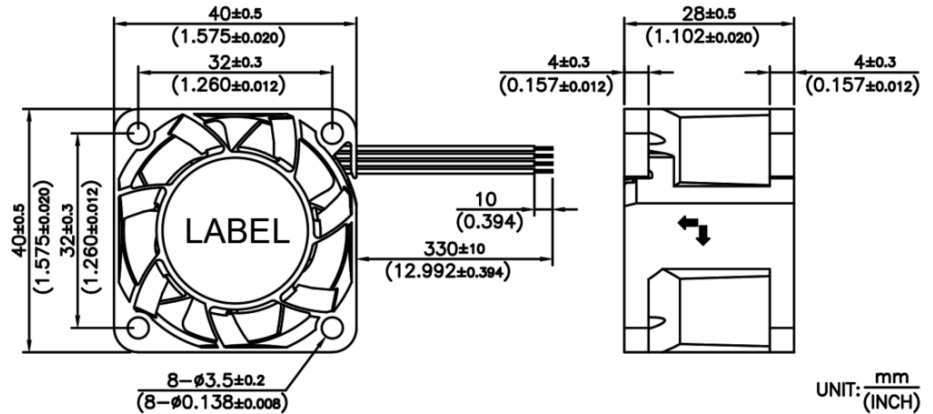
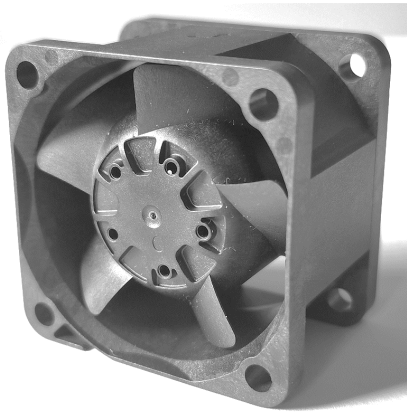


Product Type	Model No.		Control Type	Bearing Type	Voltage	Operating Voltage Range	Operating Temp.	Speed	Current	Power	Airflow		Pressure		Noise
					V	VDC	°C				R.P.M	A	W	CFM	
4028 12V High Pressure Super Speed Series	A340281S	BP4020	+/-/FG/PWM	BALL	12	10.8~13.2	-10~70	38000	3.86	46.3	39.5	1.12	11.5	293	72.5
	A340281S	BP4030	+/-/FG/PWM	BALL	12	10.8~13.2	-10~70	36500	3.26	39.1	37.4	1.06	10.7	272	71.6
	A340281S	BP4040	+/-/FG/PWM	BALL	12	10.8~13.2	-10~70	35000	2.96	35.5	36.0	1.02	9.8	250	70.7
4028 12V Low Power Super Speed Series	A340281S	BP4W20	+/-/FG/PWM	BALL	12	6.5~13.2	-10~70	38000	3.30	39.6	43.4	1.23	9.9	252	70.9
	A340281S	BP4W30	+/-/FG/PWM	BALL	12	6.5~13.2	-10~70	36000	2.51	30.1	41.0	1.16	8.9	225	70.3
	A340281S	BP4W50	+/-/FG/PWM	BALL	12	6.5~13.2	-10~70	34000	2.23	26.7	39.3	1.11	8.2	208	69.9

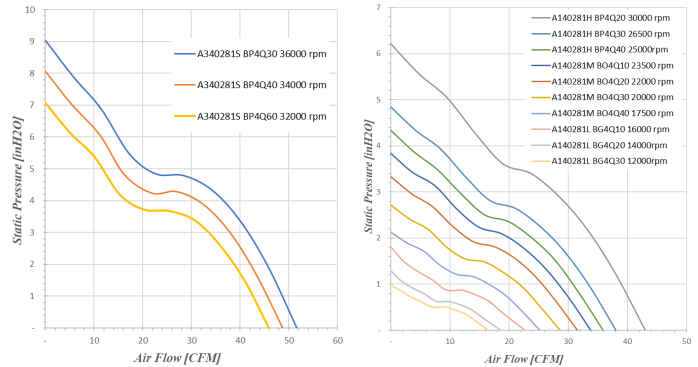
iCloud Fan 40*40*28 MM

High Air Flow Series

DIMENSION DRAWING



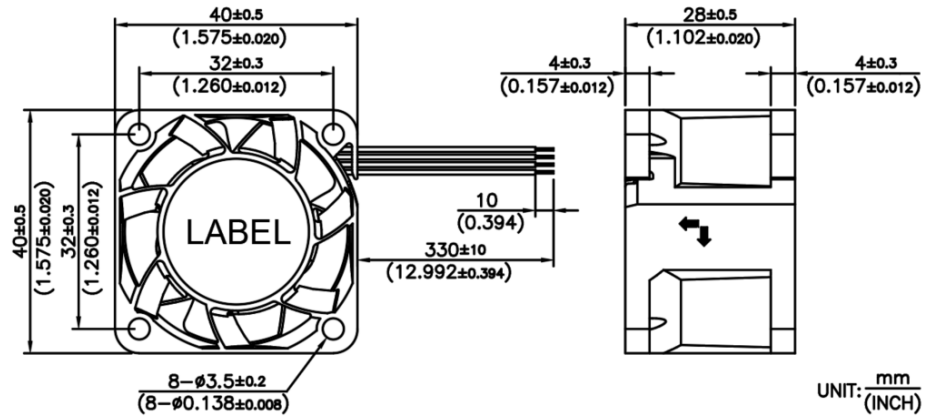
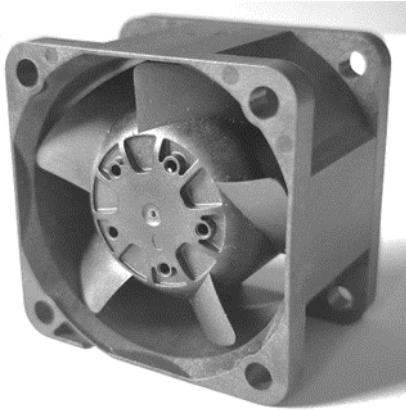
Housing : Plastic (UL 94V-0)
 Impeller : Plastic (UL 94V-0)
 Bearing : Ball bearing
 Lead Wires : UL10368 AWG26 OR Equivalent
 Mass : 52g



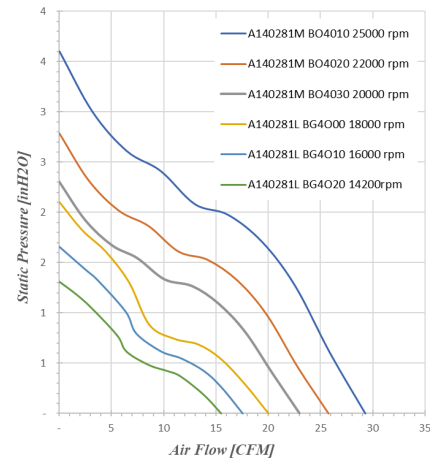
Product Type	Model No.		Control Type	Bearing Type	Voltage	Operating Voltage Range	Speed	Current	Power	Airflow		Pressure		Noise
					V	VDC	R.P.M	A	W	CFM	m3/min	inH2O	mmH2O	dB(A)
4028 12V High Air Flow Super Speed Series	A340281S	BP4Q30	+/-FG/PWM	BALL	12	10.8~13.2	36000	4.60	55.2	51.7	1.46	9.4	238.9	72.1
	A340281S	BP4Q40	+/-FG/PWM	BALL	12	10.8~13.2	34000	4.10	49.3	48.7	1.38	8.1	204.7	70.9
	A340281S	BP4Q60	+/-FG/PWM	BALL	12	10.8~13.2	32000	3.38	40.6	45.9	1.30	7.1	179.8	69.5
4028 12V High Air Flow High Speed Series	A140281H	BP4Q20	+/-FG/PWM	BALL	12	6.5~13.2	30000	3.10	37.2	43.0	1.22	6.2	158.0	68.1
	A140281H	BP4Q30	+/-FG/PWM	BALL	12	6.5~13.2	26500	2.20	26.4	38.0	1.08	4.9	123.3	67.1
	A140281H	BP4Q40	+/-FG/PWM	BALL	12	6.5~13.2	25000	1.72	20.7	35.8	1.01	4.3	110.2	65.9
4028 12V High Air Flow Middle Speed Series	A140281M	BO4Q10	+/-FG/PWM	BALL	12	6.5~13.2	23500	1.48	17.8	33.8	0.96	3.8	97.5	64.5
	A140281M	BO4Q20	+/-FG/PWM	BALL	12	6.5~13.2	22000	1.19	14.3	31.5	0.89	3.3	84.7	63.0
	A140281M	BO4Q30	+/-FG/PWM	BALL	12	6.5~13.2	20000	0.88	10.6	28.6	0.81	2.7	69.2	61.4
	A140281M	BO4Q40	+/-FG/PWM	BALL	12	6.5~13.2	17500	0.61	7.3	25.2	0.71	2.1	54.1	59.0
4028 12V High Air Flow Low Speed Series	A140281L	BG4Q10	+/-FG/PWM	BALL	12	6.5~13.2	16000	0.48	5.7	22.6	0.64	1.8	46.2	53.2
	A140281L	BG4Q20	+/-FG/PWM	BALL	12	6.5~13.2	14000	0.32	3.9	18.6	0.53	1.3	32.9	52.4
	A140281L	BG4Q30	+/-FG/PWM	BALL	12	6.5~13.2	12000	0.23	2.7	15.8	0.45	1.0	24.2	47.0

iCloud Fan 40*40*28 MM Normal Series

DIMENSION DRAWING



Housing : Plastic (UL 94V-0)
 Impeller : Plastic (UL 94V-0)
 Bearing : Ball bearing
 Lead Wires : UL10368 AWG26 OR Equivalent
 Mass : 52g



Product Type	Model No.		Control Type	Bearing Type	Rated Voltage	Operating Voltage Range	Operating Temp.	Speed	Input Current	Input Power	Maximum Air Flow		Maximum Air Pressure		Noise
					VDC	VDC	°C	R.P.M	Amp	Watt	CFM	m ³ /min	inH2O	mmH2O	
4028 12V Normal Series	A140281M	BO4010	+/-FG/PWM	BALL	12	6.5~13.2	-10~70	25000	1.10	13.2	29.3	0.83	3.60	91.5	65.2
	A140281M	BO4020	+/-FG/PWM	BALL	12	6.5~13.2	-10~70	22000	0.77	9.3	25.8	0.73	2.79	70.8	60.5
	A140281M	BO4030	+/-FG/PWM	BALL	12	6.5~13.2	-10~70	20000	0.58	7.0	23.0	0.65	2.30	58.5	58.6
	A140281L	BG4000	+/-FG/PWM	BALL	12	6.5~13.2	-10~70	18000	0.45	5.4	20.0	0.57	2.10	53.4	50.2
	A140281L	BG4010	+/-FG/PWM	BALL	12	6.5~13.2	-10~70	16000	0.34	4.1	17.6	0.50	1.65	42.0	48.2
	A140281L	BG4020	+/-FG/PWM	BALL	12	6.5~13.2	-10~70	14200	0.23	2.8	15.5	0.44	1.31	33.2	44.2